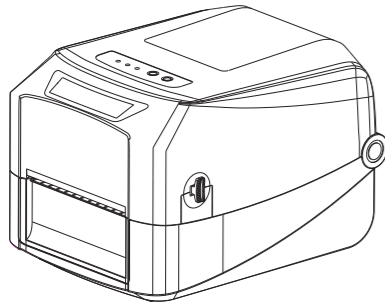


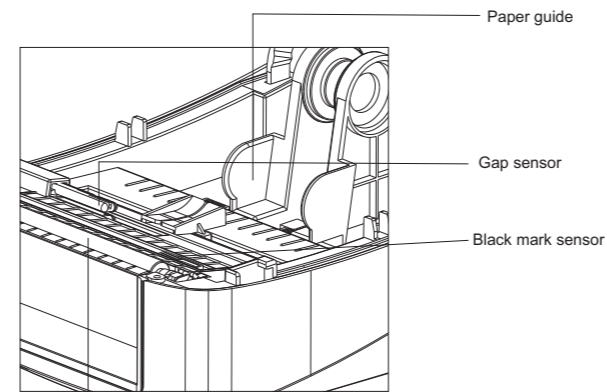
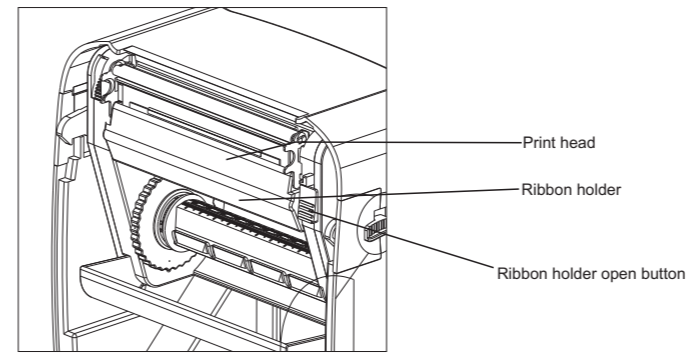
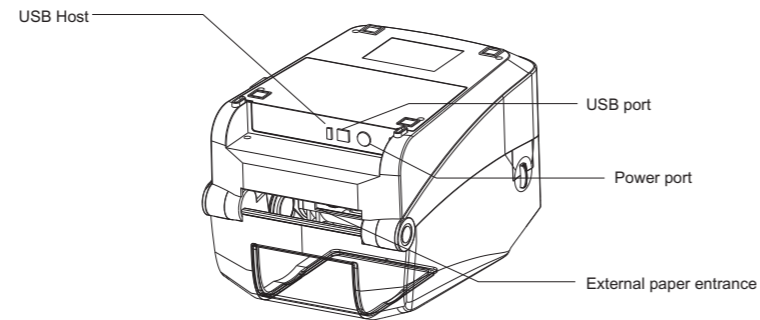
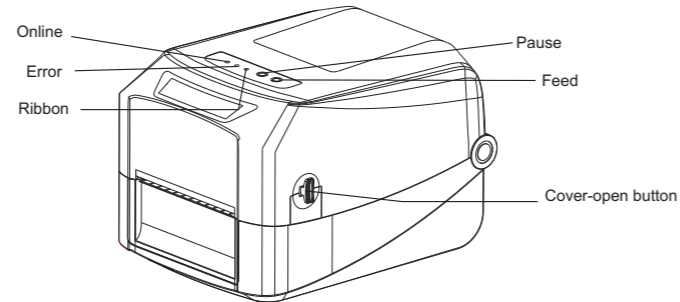
Installation Manual

For Thermal Transfer Barcode Printer

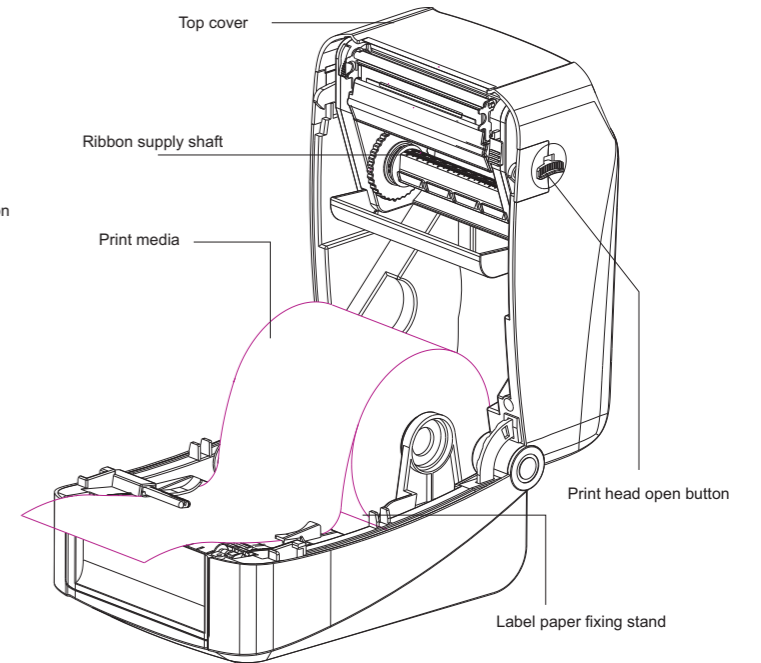
Surpass Series



Please read this user guide before printer operation and keep this guide for reference.



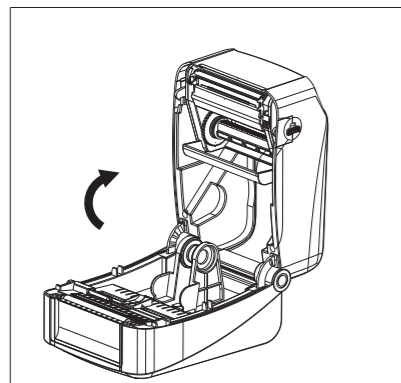
Rubber roller



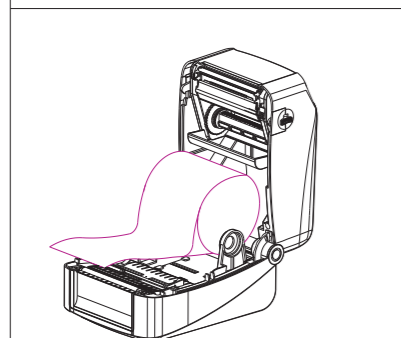
Note: The interface of printer showed in picture may have some differences from the model your purchased. As for the actual interface, please refer to the product specifications

*If you need more information about the product, please refer to the User's Manual in CD.
*The printer specification, accessory, spare parts and program are subject to change without prior notice.

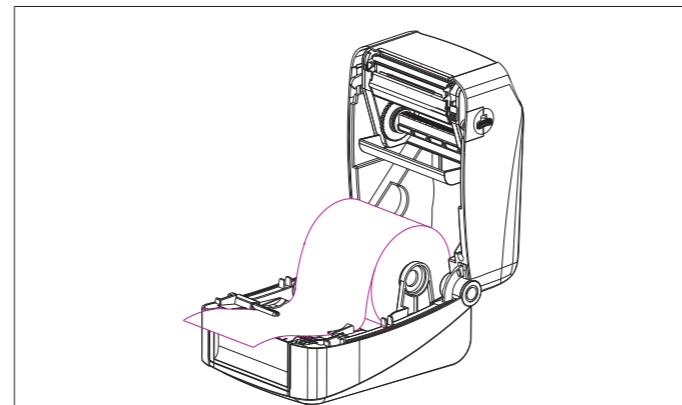
Print media loading



1. Press two buttons on printer two sides to lift and open the cover.

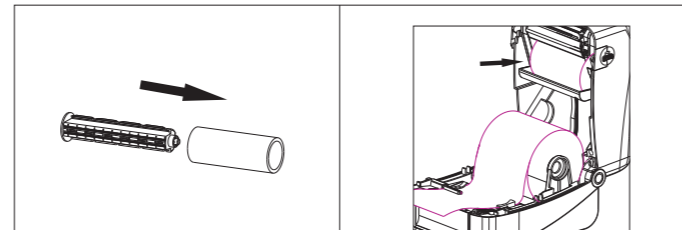


2. Load print media into the printer; adjust the paper guide to be same width of print media.

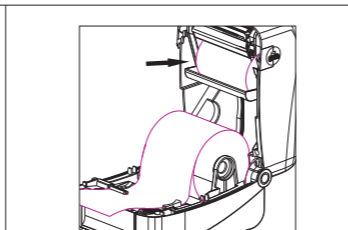


3. Pull out the print media till it pass gap sensor and cutter (cutter is optional), complete media loading.

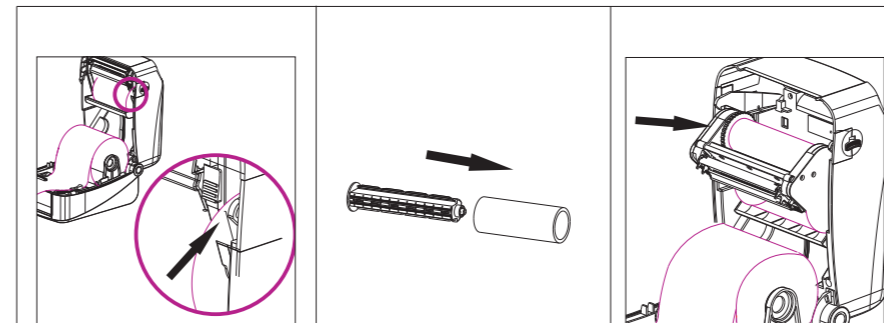
Ribbon loading



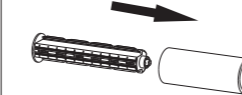
1. Insert blue ribbon roller into new ribbon.



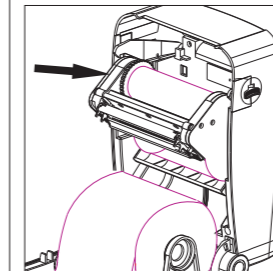
2. Load ribbon left side first and then right side, fix it well.



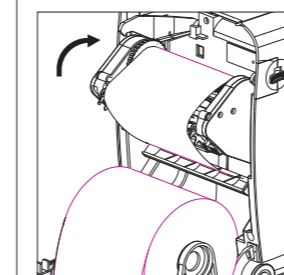
3. Press the button to open ribbon holder unit as per picture



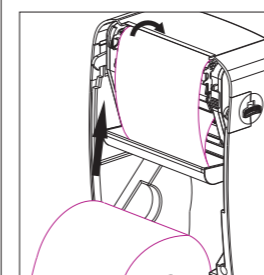
4. Insert blue ribbon roller into the empty roll for ribbon collecting after printed



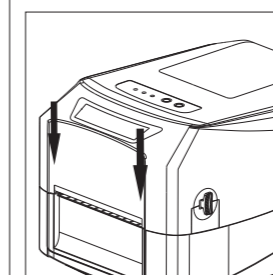
5. Load the empty roll left side first, then right side.



6. Pull out ribbon and stick into the empty roll. Make sure ribbon is flat and smooth when touch print head.



7. Put ribbon holder back to its position as picture showing.



8. Carefully close top cover.

Ribbon and print media loading diagram

